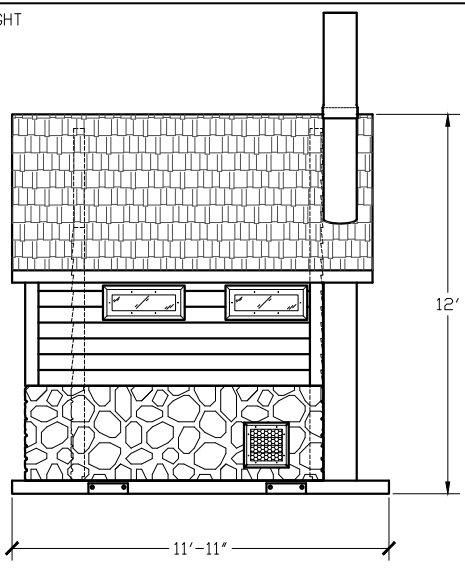
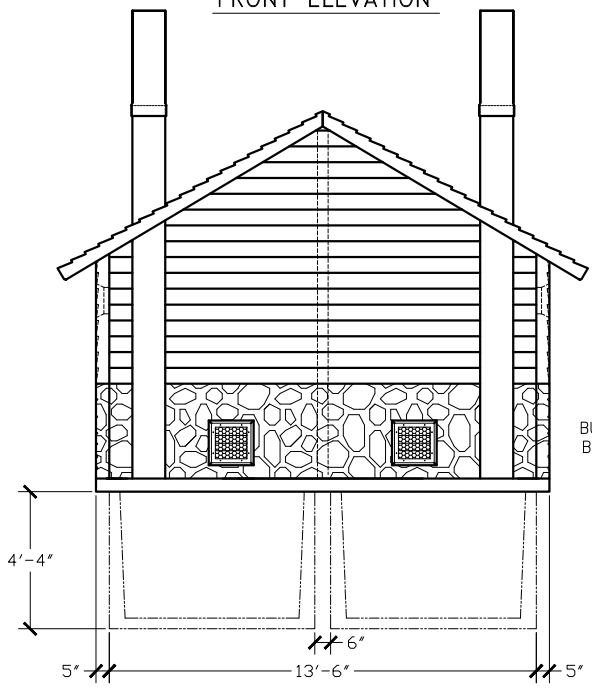


FRONT ELEVATION



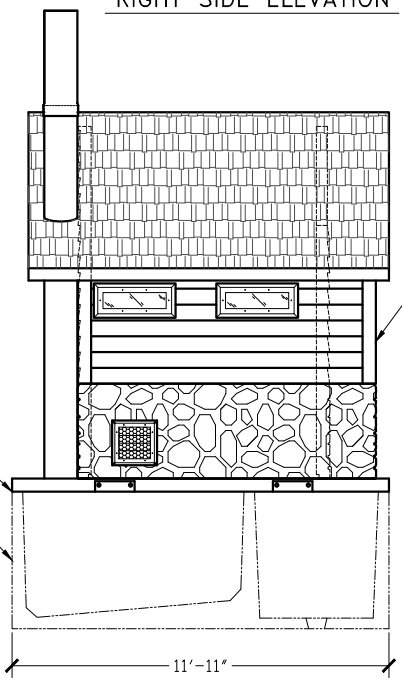
RIGHT SIDE ELEVATION



REAR ELEVATION

FOR
REFERENCE
ONLY

BUILDING-TO-VAULT CONNECTION:
BUTYL TAPE ADHESIVE SEALANT-
SEE ATTACHED CUT SHEET.
VAULT 1 - TYP 2 PLCS
(SEE DWG #V1-1)



LEFT SIDE ELEVATION

EMBEDDED MATERIALS			
ITEM	QTY	ITEM	QTY
SI-2	2		
VENT PIPE 12'-0"	2		
3068 DOOR ASSEMBLY	2		
MS-14	1		
ANCHOR NAIL 1/4x3/4	12		
SPRING HINGE 4.5x4.5	6		
VENT PIPE 3'-0"	2		

CU. FT. CONC.	SQ. FT. W.W.F.	APPROXIMATE WEIGHT



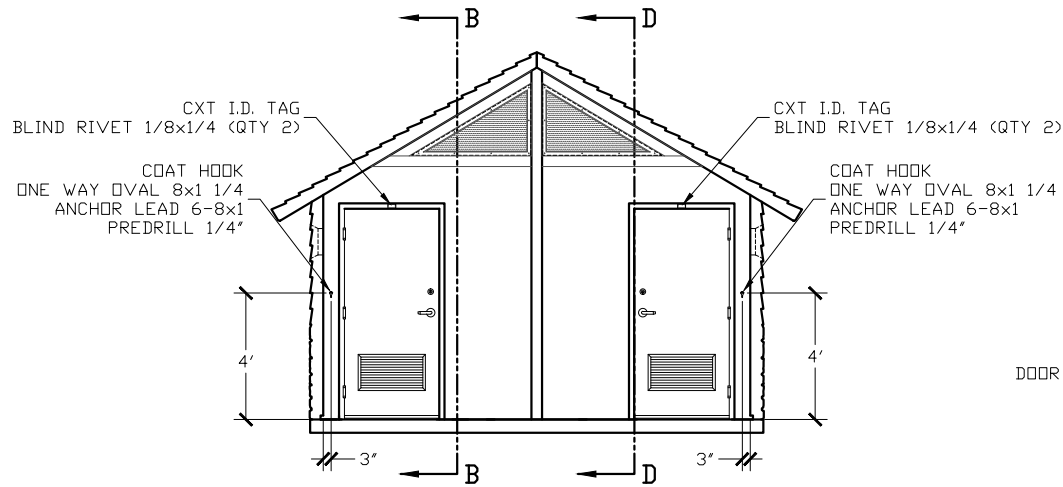
PROJECT TITLE
DOUBLE ROCKY MTN
CXT STANDARD BUILDING

NOTICE
The information contained herein is proprietary and the exclusive property of CXT Incorporated. The information may only be used by the original recipient for the purpose intended. Reproduction or distribution of this information is strictly prohibited without the prior written consent of CXT Incorporated. By allowing use of this information, CXT Incorporated grants no warranty, express or implied, including a warranty of merchantability or of fitness for a particular purpose.
CXT Incorporated

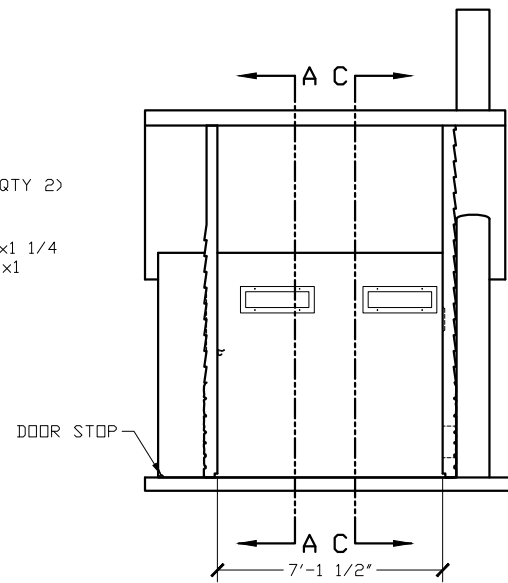
REV.	DESCRIPTION	APPROVAL	DATE
SCALE	1/4"=1'-0"	DATE	07-19-16
DRAWN	FILE NO.	PD-DRM02	
CHECKED	PLOT	48	

BUILDING ELEVATIONS

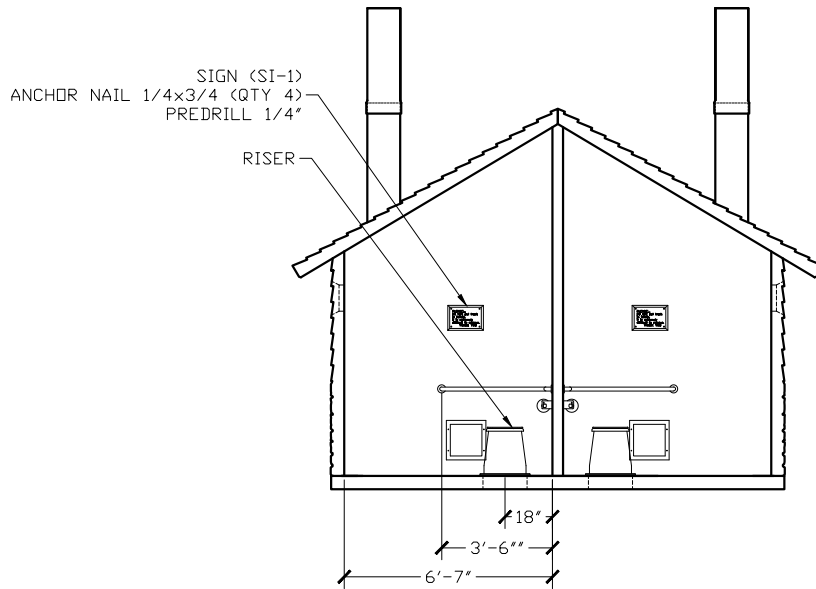
DWG NO.	SHEET	REV.
DRM-02		



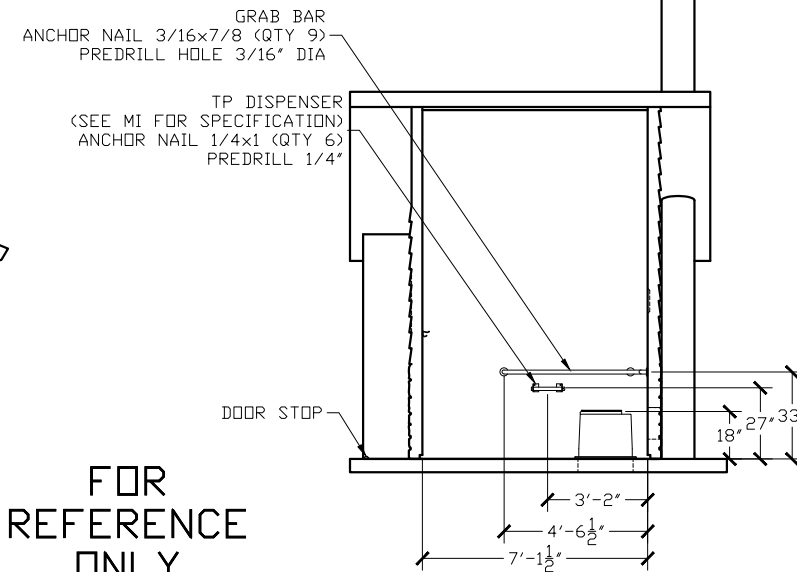
SECTION A - A



SECTION B - B



SECTION C - C



SECTION D - D

FOR REFERENCE ONLY

EMBEDDED MATERIALS			
ITEM	QTY	ITEM	QTY
RISER	2	ONE WAY OVAL 8x1 1/4	4
GRAB BAR	2	ANCHOR LEAD 6-8x1	4
TP DISPENSER	2	BLIND RIVET 1/8x1/4	4
TOILET PAPER ROLL	4-6		
COAT HOOK	2		
DOOR STOP	2		
SI-1	2		
BLIND RIVET 1/8x1/4	4		
CXT I.D. TAG	2		
ANCHOR NAIL 1/4x1	12		
ANCHOR NAIL 1/4x3/4	8		
ANCHOR NAIL 3/16x7/8	18		
CU. FT. CONC.		SQ. FT. W.W.F.	APPROXIMATE WEIGHT



PROJECT TITLE
DOUBLE ROCKY MTN
 CXT STANDARD BUILDING

NOTICE

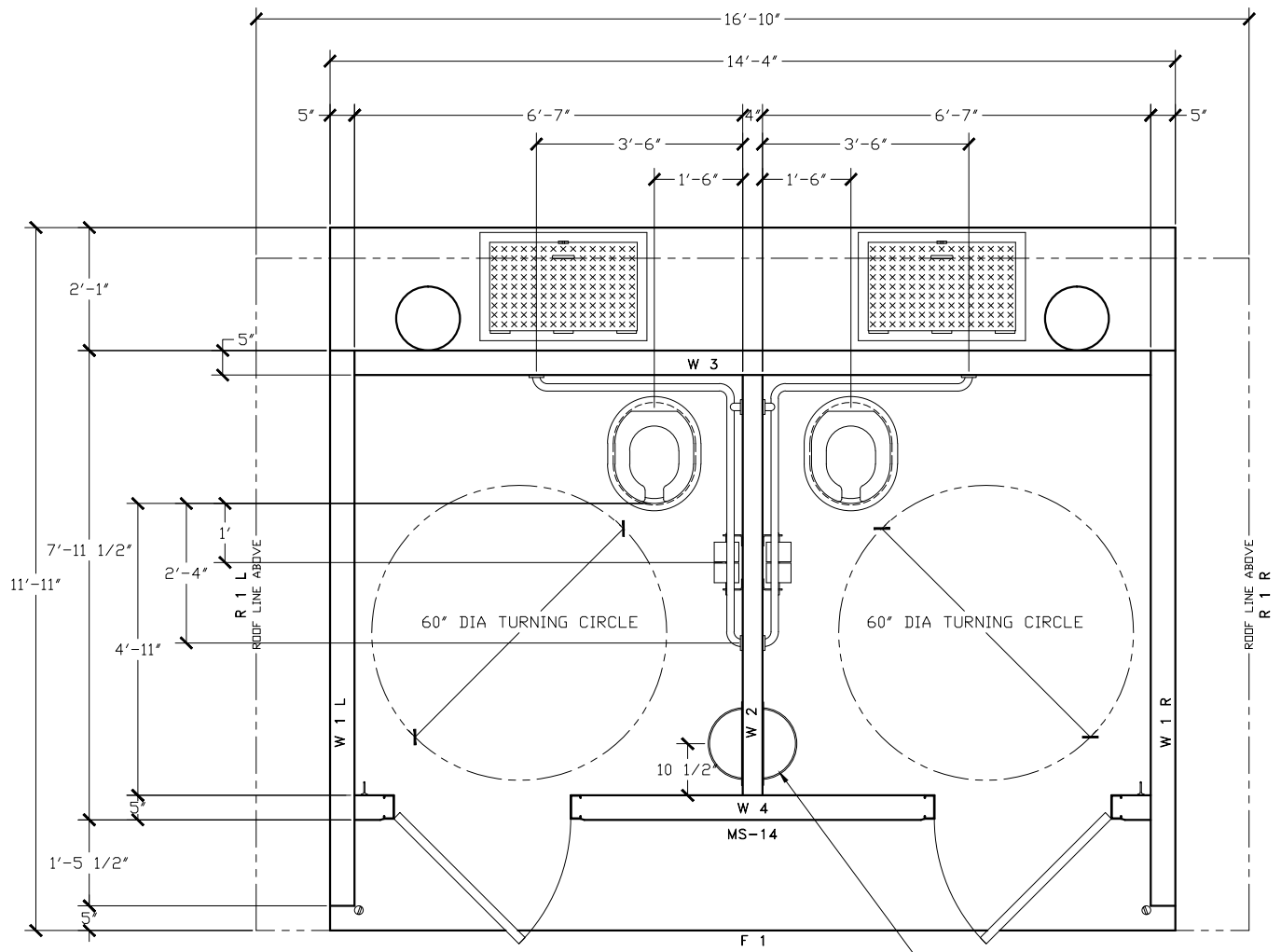
The information contained herein is proprietary and the exclusive property of CXT Incorporated. The information may only be used by the original recipient for the purpose intended. Reproduction or distribution of this information is strictly prohibited without the prior written consent of CXT Incorporated. By allowing use of this information, CXT Incorporated grants no warranty, express or implied, including a warranty of merchantability or of fitness for a particular purpose.

CXT Incorporated

REV.	DESCRIPTION	APPROVAL	DATE
SCALE	1/4"=1'-0"	DATE	07-19-16
DRAWN	FILE NO.	PD-DRM03	
CHECKED	PLOT	48	

INTERIOR ELEVATIONS

DWG NO.	SHEET	REV.
DRM-03		



FOR
REFERENCE
ONLY

OPTIONAL WASTE PAPER BASKET
MOUNT BTM 12" OFF FINISHED FLOOR
(SEE MI)



PROJECT TITLE
DOUBLE ROCKY MTN
CXT STANDARD BUILDING

NOTICE
The information contained herein is proprietary and the exclusive property of CXT Incorporated. The information may only be used by the original recipient for the purpose intended. Reproduction or distribution of this information is strictly prohibited without the prior written consent of CXT Incorporated. By allowing use of this information, CXT Incorporated grants no warranty, express or implied, including a warranty of merchantability or of fitness for a particular purpose.

CXT Incorporated

REV.	DESCRIPTION	APPROVAL	DATE
SCALE	1/2"=1'-0"	DATE	07-19-16
DRAWN	FILE NO.	PD-DRM04	
CHECKED	PLOT	24	

FLOOR PLAN

DWG NO.	SHEET	REV.
DRM-04		